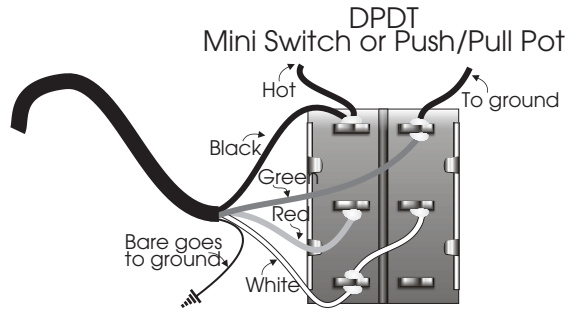
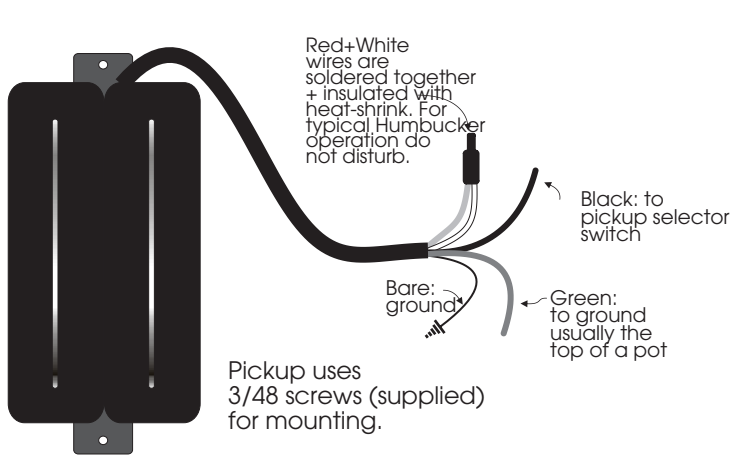




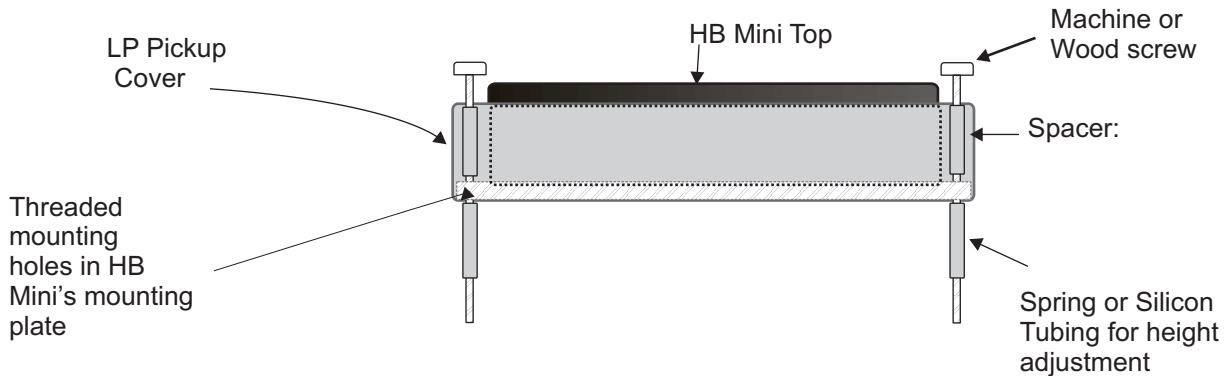
HB Mini™ Hum Series Wiring

(Standard Humbucker Sound)



Optional:
Series / Parallel Wiring
(Allows you to independently run each coil to output for an acoustic-like tone. Use a DPDT push/pull pot or mini toggle switch.)

Mounting in LP or Flat Pickup Rings



Using Les Paul Pickup Ring

The diagram shows use of spacers and springs/silicon tubing for installation of an HB Mini into a Les Paul pickup ring. You must drill out the threads on the HB Mini's mounting bracket holes with a 1/8" drill bit to allow the mounting screw to move freely thru the hole.

If your guitar has threaded inserts in the pickup cavity, use the 3-48 machine screw, otherwise use the wood screw for mounting into the wood of the guitar.

Flat Pickup Ring

When using flat pickup rings to cover pickup cavities **DO NOT REMOVE** the threads in the HB Mini's mounting plate as in the LP option above.

The threads are required to allow the pickup to go up and down in the pickup ring.

