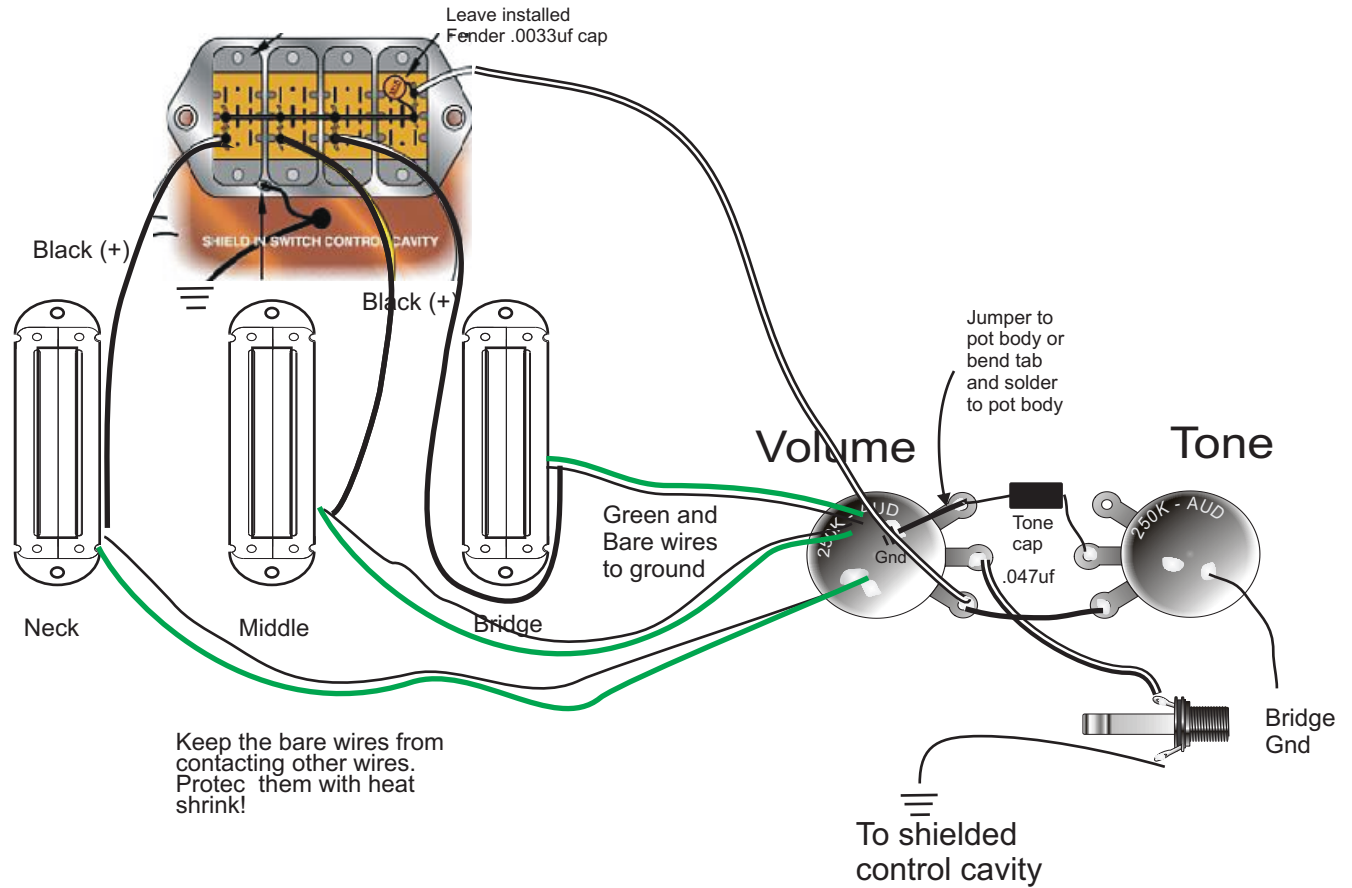


JBE Pickups Wiring for Bass VI



Control, switch, and pickup cavities should be in the same ground plane

Leave red/white wires tied together without connection in the control cavity. These wires may be separated and connected later to PP pots or other switch for optional parallel coil wiring if desired. Parallel wiring not shown



2014 JBE Pickups™