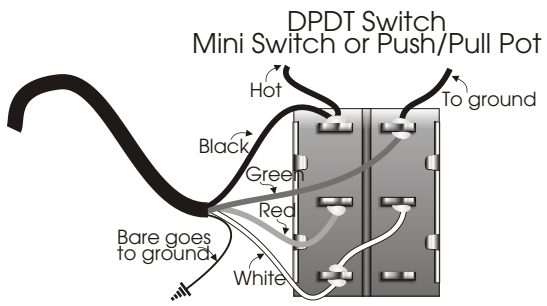


JBE 'Trons are shipped with a Long mounting plate already installed as commonly used when mounting to a pickup ring.

Short mounting plate used for direct wood-mount installations as shown above. E.g. Cabronita mount

Remove (4) screws on bottom of pickup to exchange plates and resecure. DO NOT OVERTIGHTEN!

Optional: Series/Parallel Switching



Optional:
Series / Parallel Wiring
yields a more "open" tonal effect.
(Use a DPDT push/pull pot or mini toggle switch.)